

2018

GUARDIAN : KLARION

Non-Lethal Acoustic Area Denial

Information Brochure



C-VIGIL Ltd : marine (CVM)

In
association
with



C-VIGIL Ltd : marine (CVM)
GUARDIAN : SYSTEMS





Un-manned off-shore platforms are by their very nature exposed & vulnerable to intrusions. These unauthorised intrusions are not just a nuisance; they can be very costly in production down-time and lost equipment.

With the use of PIR motion sensors located around the boat landing platform it is possible to detect any unauthorised approach / access to the platform from seaward, once detected the intruder can be driven away using Long Range Acoustic Devices.

The acoustic energy being sufficient to cause actual physical pain and discomfort which only gets worse the closer they get to the rig. Wireless remote control allows maintenance personnel to switch the system on / off at a safe distance.



Non-Lethal Acoustic Area Denial System

solo
lone worker systems

sea-vu
cctv systems

klarion
acoustic area denial

autoguard
intruder detection

thermoguard
remote °c monitoring

elev8tor
lift car indicator

Long Range 50m Wide Angle 30m Detection Perimeter to Detect Any Unauthorised Approaches

- RUGGED CONSTRUCTION
- SEALED TO MINIMUM OF IP65
- NON-LETHAL ACOUSTIC DETERRENT
- 50M X 30M PIR DETECTION ZONE
- SOUND LEVEL (SPL – 149DB @ 1M)
- INSTRUCTIONAL VOICE MESSAGES & WARNING TONES
- MULTIPLE LANGUAGES
- WIRELESS REMOTE CONTROL FOR MAINTENANCE STAFF



LRAD 500X-RE



Strategically placed PIRs detect any unauthorised approaches, which then triggers the Long Range Acoustic Devices (LRADs). High sound power Level transmissions are used to deter further approach.

EQUIPMENT

MCU + BEACON

HOUSING

Connection terminals.
Power supplies & PLC control units.
Wireless remote operation receiver.
LRAD - MP3 players.
515mm x 415mm x 230mm.
Sealed to IP65.

PIRS

4 X PIRS FACING OUTWARD
1 X PIR FACING INWARD

SIP 5030 – 50m x 30m detection range.
Reinforced GRP construction – IP65.
Look down detector forms “creep zone”.
280mm x 247mm x 102mm.

LRADS

4 X FACING OUTWARD - LRAD 500X RE

2,000m effective range.
SPL - 149db @ 1m.
Rugged military tested construction – IP66.
Non-lethal acoustic deterrent.
635mm x 635mm x 305mm.
MP3 players (5) – USB connection for programming.

1 X FACING INWARD - LRAD 100X

600m effective range.
SPL – 137DB @ 1m.
Rugged military tested construction – IP66.
Non-lethal acoustic deterrent.
356mm x 356mm x 165mm.

WIRELESS REMOTE CONTROL

1 X RECEIVER

Functions - On / Off | Alarm reset | Alarm test.

1 X TRANSMITTER

Rugged construction – IP65.
433MHz license free operating frequency.
3 channel transmitter.
Tx: 66mm x 36mm x 25mm.
Rx: 110mm x 85mm x 35mm.

*Long Range
Standoff Perimeter*

*Multiple Languages
& Warning Tones*

*Issue Instructions
Up To 2Km*



solo
lone worker systems

sea-vu
cctv systems

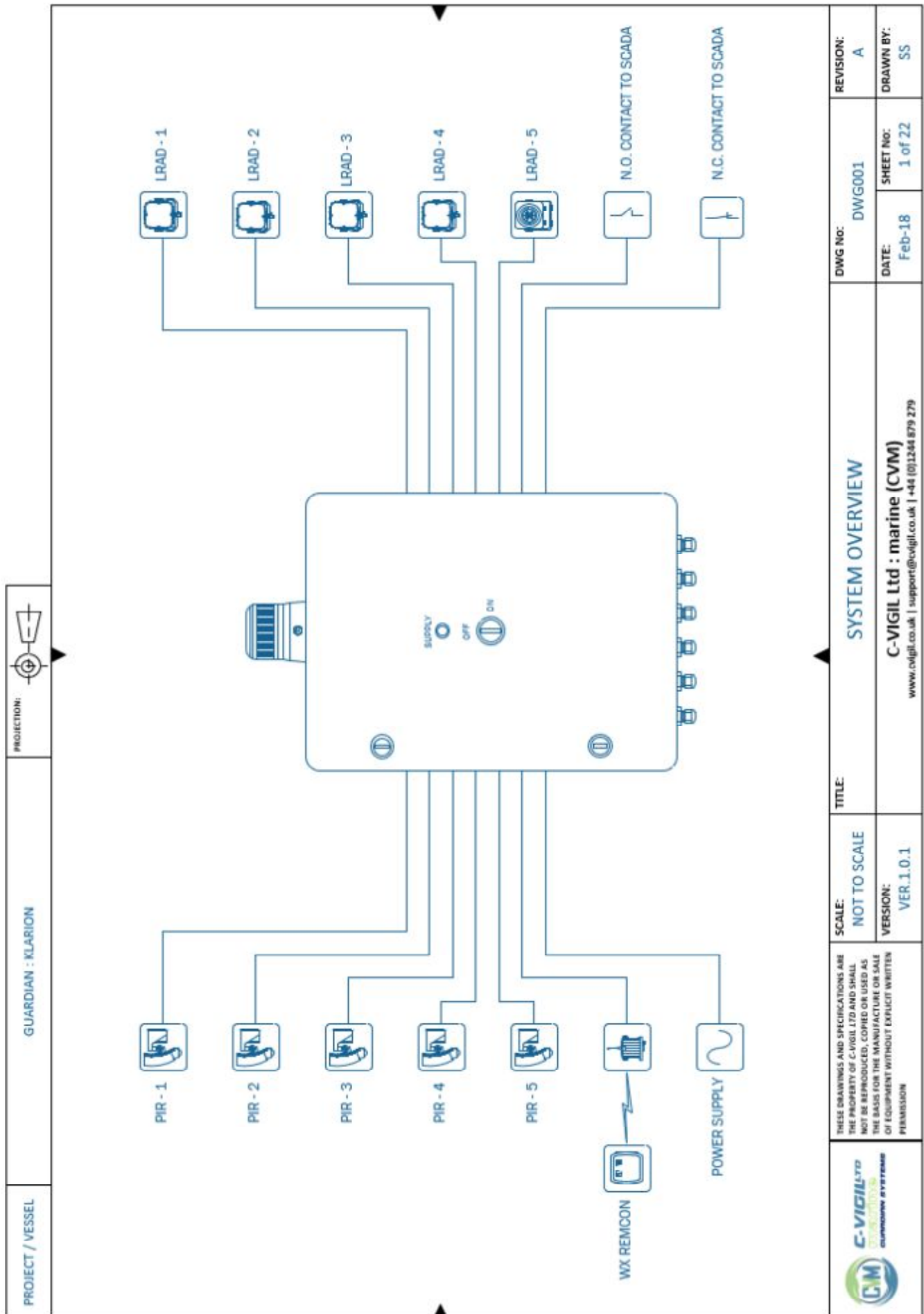
klarion
acoustic area denial

autoguard
intruder detection

thermoguard
remote °C monitoring

elev8tor
lift car indicator

System Overview



solo
lone worker systems

sea-vu
cctv systems

klarion
acoustic area denial

autoguard
intruder detection

thermoguard
remote °C monitoring

elev8tor
lift car indicator



C-VIGIL^{LTD}
marine
GUARDIAN SYSTEMS



www.cvigil.co.uk

www.kvasir-group.com

C-VIGIL Ltd : marine (CVM)

The Barn, Bryntirion Rd
Bagillt, Flintshire
N. Wales, CH6 6DS, UK

+44 (0)1244 879 279

general@cvigil.co.uk

www.cvigil.co.uk

Company Reg No.
0447624

VAT Reg No.
804 6004 68

ISO 9001:2008 Reg No.
2001 654

solo
lone worker systems

sea-vu
cctv systems

klarion
acoustic area denial

autoguard
intruder detection

thermoguard
remote °C monitoring

elev8tor
lift car indicator