

# LRP 5030S

WIDE-ANGLE PIR

The Super Redwide® 5030S offers wide-angle detection for large external areas. It is able to achieve this by combining a high grade, gold plated optical array with three dual element pyroelectric sensors. This combination achieves significant coverage with a low potential for false alarms. Designed for use with CCTV, the detector coverage matches popular camera/lens combinations. The sensor can be accurately aligned using the optical viewer provided and stability of detection checked with the OPM-WT Walktester.

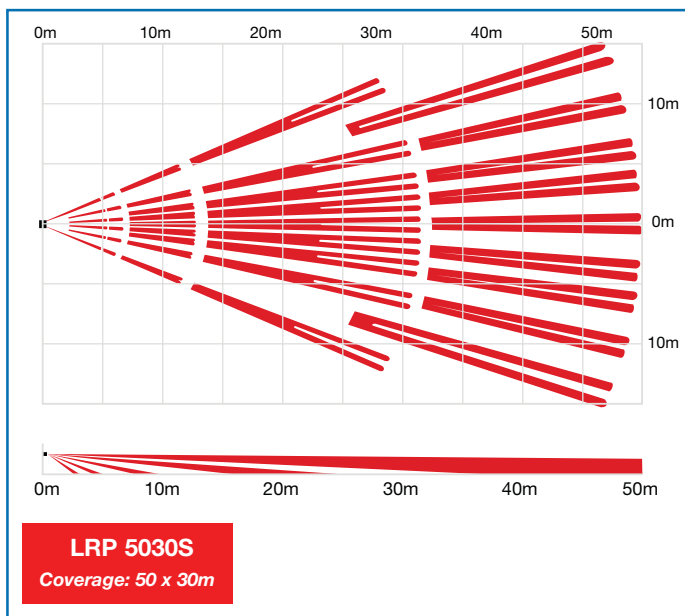
## FEATURES

- Rugged, all metal construction
- Triple electronic processors
- Triple dual element sensors
- Gold coated optics
- Tamper protected
- IP65 rated
- Low power consumption
- Accurate alignment
- Advanced temperature compensation circuit.
- Patented Double Conductive Shielding
- Patented optical array

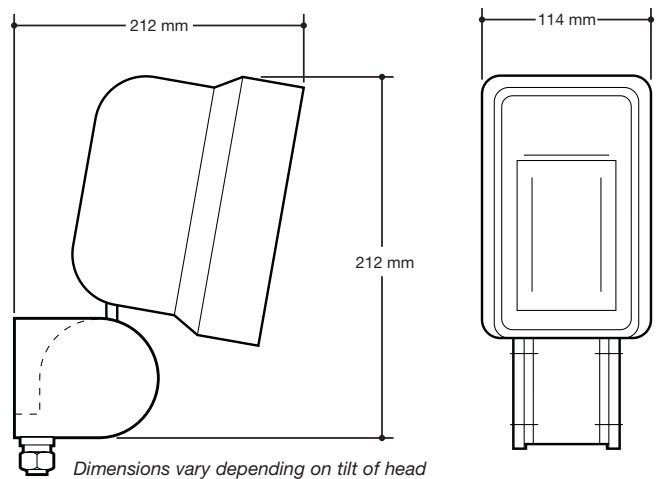
## OPTIONS

- Sun/snow shield – LRPMINIHOOD
- Pole mount bracket – LRPSCA
- Vandal resistant guard – LRPGUARD
- Audio walk tester – OPM-WT

## COVERAGE



## DIMENSIONS



## SPECIFICATIONS



78  
39 Pairs



10.2-13.8VDC



30mA



-40°C



+60°C



2.3m



1.6kg



IP65  
(Wiring hole  
to be sealed)



Output  
Form 1C  
30VDC/1A (Max)



Tamper Form  
1B  
28VDC/100mA (Max)