

LRP 100QS

LONG-RANGE PIR

The Super Redwall® 100QS detector has changed the industry's perception of using passive infrared in outdoor applications. It is simple to install and align and reliable in operation. The use of four elements in a 100 metre detector is unique and underlines our continued commitment to development.

Redwall® detectors feature an advanced visual alignment system. At installation, a small reflex viewer, supplied with each detector, can be plugged into the sensor's front window and provides a view of the area to be protected. The sensors can be accurately aligned using the OPM-WT which converts sensor outputs into an audio format.

The integral mounting bracket allows fixing to wall or pillar and as with all of our products, the unit comes complete with fixings and gaskets.

SUPER
REDWALL® Q

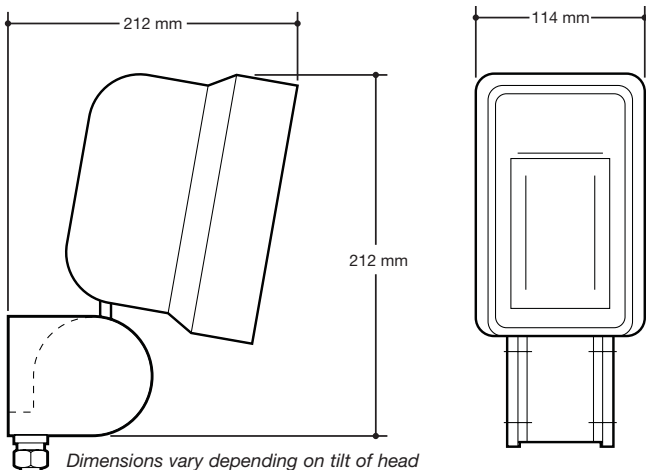
FEATURES

- Rugged, all metal construction
- Quad element detection
- Twin processors
- Gold coated optics
- Tamper protected
- IP65 rated
- Low power consumption
- Accurate alignment
- Patented Double Conductive Shielding
- Selectable sensitivity switch
- Multi-voltage input

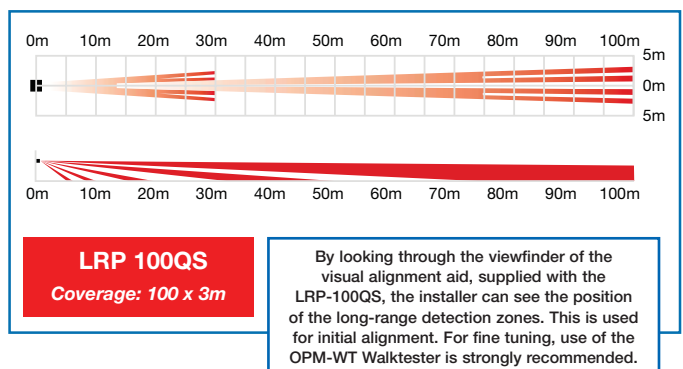
OPTIONS

- Sun/Snow shield - LRPMDIHOOD
- Pole mount bracket - LRPSCA
- Vandal resistant guard - LRPGUARD
- Audio walk tester - OPM-WT

DIMENSIONS



COVERAGE



SPECIFICATIONS



20 Zones
5 Quad



11-16VDC
or
22-26VAC



25mA/
60mA



-40°C



+60°C



2.3m



1.8Kg



IP65
(Wiring hole
to be sealed)



Output
2 Relay Outputs
N.C/N.O
30VDC/1A (Max)



Tamper
Form 1B

28VDC/100mA (Max)