

EX72LED Explosion-protected Infrared Illuminators



- ▶ Explosion protected infrared illuminator
- ▶ 100 LED array for 18.3 m (60 ft) of infrared illumination
- ▶ ATEX and UL/CSA certified for explosion-protected performance
- ▶ Class I, II, III, Div. 1, 2, Groups B, C, D, E, F, G, T6
- ▶ Compact design with threaded flame paths for maximum safety

The EX72LED series are tough, compact, explosion-protected infrared illuminators for effective night time illumination in hazardous environments.

The EX72LED series incorporates high-strength design, featuring construction of sand-cast, copper-free aluminum strong enough to withstand an internal explosion. Threaded flame paths extinguish burning explosive gases and allow them to exit the housing harmlessly, without risking ignition in the external environment.

By meeting the rigorous requirements for Class I, Division 1 environments, the EX72LED assures safe, effective performance at hazardous Class II and Division 2 locations.

The extended design of the EX72LED accommodates a powerful, high-efficiency 100 LED array that provides up to 18 m (60 ft) infrared illumination with IR sensitive cameras. Options for completely covert operation at 940 nm, as well as 30 ° and 60 ° beams are available for special applications.

Rated NEMA 4X for both indoor and outdoor use, the EX72LED carry a T6 temperature code; the lowest and safest rating. The EX72LED is easy to install into any 12 VDC or 24 VAC system and is a safe and effective night time illumination solution for hazardous locations.

Functions

Applications

- Petroleum processing facilities
- Chemical Facilities
- Agricultural processing plants
- Refineries
- Munitions storage facilities
- Oil and gas plants
- Fuel storage sites
- Industrial plants
- Nuclear facilities
- Pharmaceutical facilities
- Aircraft hangers

Certifications and Approvals

Region	Certification
Europe	CE ATEX
Canada	CSA
CSA/NRTL	LR 113310
Class	2258 / 82 - Process Control Equipment - For Hazardous Locations - Certified to US Standard 2258 / 02 - Process Control Equipment - For Hazardous Locations
Safety	OSHA / ANSI / UL / CSA UL 508, 16th Edition - Industrial Control Equipment

UL 698, 11th Edition - Industrial Control Equipment for Use in Hazardous (Classified) Locations

UL 1203, 2nd Edition - Explosion-Proof and Dust-Ignition-Proof Elec. Eqmt for Use in Hazardous (Classified) Locations

CSA C22.2 No.0-M1991 - General Requirements - Canadian Electrical Code Part II

CSA C22.2 No.0.4-M1982 - Bonding and Grounding of Electrical Equipment (Protective Grounding)

CSA C22.2 No.25-M1966 - Enclosures for Use in Class II Groups E, F and G Hazardous Locations

CSA C22.2 No.30-M1986 - Explosion-proof Enclosures for Use in Class I Hazardous Locations

CSA C22.2 No.94-M1991 - Special Purpose Enclosures

CSA C22.2 No.142-M1987 - Process Control Equipment Class I, Division 1 and 2, Groups B, C, and D

Class II, Division 1 and 2, Groups E, F, G

Class III

ATEX Ex II 2G certified - Equipment or Protective System intended for use in Potentially Explosive Atmospheres; Directive 94/9/EC

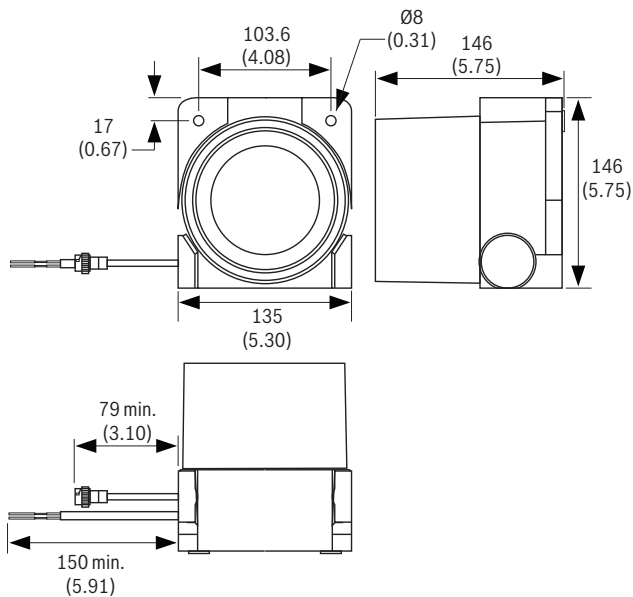
ATEX Ex d IIC T6 certified - Equipment or Protective System intended for use in Potentially Explosive Atmospheres; Directive 94/9/EC

Operational Temperature Code T6 (At ambient operational temperature of 40°C, the maximum unit surface temperature will not exceed 85 °C.)

Environmental CSA / NEMA TYPE 4X

Installation/Configuration Notes

Dimensions



$\frac{\text{mm}}{\text{in.}}$

Technical Specifications

Model	EX72LED8W	EX72LED8M
LED Type	850 nm	850 nm
Beam Angle	60° Wide	30° Medium
Model	EX72LED9M	
LED Type	940 nm	
Beam Angle	30° Medium	
Number of LEDs	100	
Power Supply	12 VDC or 24 VAC	
Power Draw	15 W max (12 VDC at 1.25 A)	
Cabling	Two 3/4 in NPT conduit entries	
Operation Temperature Range	-50 °C to +40 °C (-58 °F to 104 °F)	
Dimensions	145 x 135 x 145 mm (HxWxD) (5.7 x 5.3 x 5.7 in) (HxWxD)	
Weight	2.8 kg (6.2 lb)	

Ordering Information

EX72LED8M Explosion-Protected Infrared Illuminator EX protected illuminator, 850 nm IR, 30 deg beam width	EX72LED8M
EX72LED9M Explosion-Protected Infrared Illuminator EX protected illuminator, 940 nm IR, 30 deg beam width	EX72LED9M
EX72LED8W Explosion-Protected Infrared Illuminator EX protected illuminator, 850 nm IR, 60 deg beam width	EX72LED8W
Accessories	
EXMB.004B Ceiling and Pedestal Bracket Mounting Bracket, HD, Pan/Tilt Adjust - Ceiling Mount for EX52, EX62, black	EXMB.004B
EXMB.072B Adapter Bracket EXMB72 Adapter Bracket, Black	EXMB.072B
EXMB.028B Cable Managed Wall Bracket Cable-managed arm bracket, black	EXMB.028B
EXMB.015B Pole Mount Adapter Bracket Pole Mount Adapter, black	EXMB.015B
EXMB.017B Wall Mount Adapter Bracket Wall Mount Adapter, Black	EXMB.017B
UPA-2430-60 Power Supply 120VAC, 60Hz, 24VAC, 30VA Out	UPA-2430-60
UPA-2420-50 Power Supply 220VAC, 50Hz, 24VAC, 20VA Out	UPA-2420-50

